

RL5000



*RL5000
with high
topper*

Triton's PC-based RL5000 is changing the way people think about ATMs. The all-new model offers a stunning 10.4-inch LCD display and supports a long list of value-added transactions. All at a much lower price point than other PC-based machines.

It's simply the most cost-competitive PC ATM in the market.

This new chapter in Triton's history of innovation is made possible by the Windows® based Intel® XScale™, an advanced PC platform that enables a new level of high-performance.

In addition to its low price, the RL5000 also offers an extremely low cost of operation. The wide range of dispensers available offers customers the ability to choose the capacity that most matches their usage, and—like all Triton technology—it's extremely easy to service. Plus the RL5000 has all the standards you're looking for in a new ATM: ADA compliance, an Encrypting PIN Pad (EPP), Triple DES compliance, and a surprisingly small footprint.

There's not another PC ATM on the market that offers the level of performance and cost-competitiveness delivered by the Triton model RL5000. The future of ATMs is here.

RL5000 IN DETAIL

The future of ATMs is here.

FEATURES:

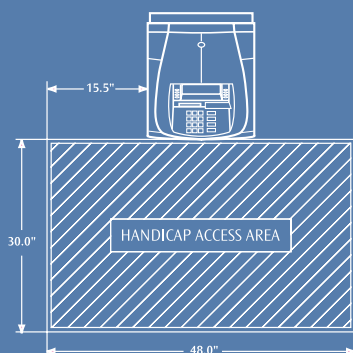
- One to four cassettes
- Multiple dispenser options
- 10.4" (264 mm), VGA color display with 640 x 480 resolution
- 80 mm thermal printer with presenter
- Microsoft® Windows® CE .NET operating system
- PC-based Intel® XScale™ 32-bit processor
- 64 MB RAM standard, 256 MB maximum
- 56k baud internationally certified
- 2 MB electronic journal storage (32,768 records)
- Electronic lock (Cencom lock optional)
- Standard with dial-up and TCP/IP communications, wireless optional
- LED lead-through indicators
- Available in UL 291 business hour and level-one cabinet vault
- Dip-style card reader or optional EMV smart card reader
- One USB slave port (for connecting to devices such as laptop computers)
- Four USB master ports (for "slave" devices such as flash drives for downloading ad screens)
- Two PC card slots (one occupied by modem)
- Four serial ports, 1 spare
- Americans with Disabilities Act (ADA) compliant
- Encrypting PIN Pad (EPP) to comply with all current international encryption standards, Triple DES Compliant
- Audio transactions for the visually impaired
- Multi-lingual capabilities
- Signage options: high topper, low topper, and full-motion video topper
- Operating system supports Microsoft Windows® file formats for adding custom logos and ads
- Footprint Dimensions
 - 16.8" wide (427 mm)
 - * 19.8" deep (503 mm)
 - 54.4" high (1390 mm) without topper
 - 64.5" high (1638 mm) with topper
 - 77.4" high (1966 mm) with high topper
- Weight 172 lbs. (78 kg) - weight varies with options
- Advertising revenue potential:
 - Decal and signage
 - Couponing
 - Transaction screen
 - Full-motion video option

OPERATING SPECS:

- Temperature 10°- 40° C / 50°- 104° F
- Relative Humidity 20%-80% Non-condensing
- Power Consumption
 - 2.0A @ 115 VAC at 60 Hz
 - 1.0A @ 230 VAC at 50 Hz

* The footprint depth may vary with different cassette options.

ATM INSTALLATION SPACE REQUIREMENTS FOR ADA COMPLIANCE



The dimensions shown comply with US Federal ADA guidelines. For installation within the US, be sure to check state and local guidelines for complete compliance. For non-USA installations, check regulations for the country in which the machine will be installed.

*specifications subject to change without notice
 **certain models increase depth by 6" (153 mm)



RL5000
 with low
 topper



For additional information on any of the ATMs in Triton's line-up, please visit our web site at www.tritonatm.com.

Triton • 522 East Railroad Street • Long Beach, Mississippi 39560 USA
 Phone: 1-228-868-1317 • Toll free: USA & Canada 1-800-367-7191
www.tritonatm.com • email: sales@trtn.com



Triton is a registered trademark of Triton Systems of Delaware, Inc. Triton is an operating company of Dover Industries, Inc., a subsidiary of Dover Corporation (NYSE:DOV). © Delaware Capital Formation, Inc., 2003. All Rights Reserved. DOVER and DOVER logo are registered trademarks of Delaware Capital Formation, Inc., a wholly-owned subsidiary of Dover Corporation.